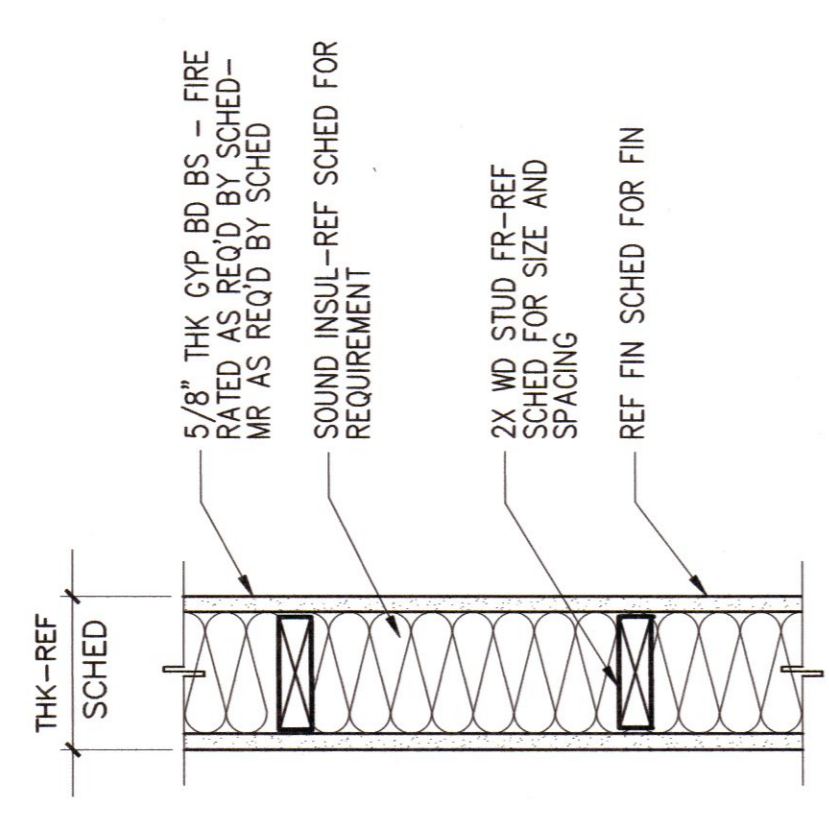


ARCHITECT'S STAMP



**WALL TYPE A**



THK-REF  
SCHD

5/8" THK GYP BD BS - FIRE RATED AS REQD BY SCHED-MR AS REQD BY SCHED-REQUIREMENT

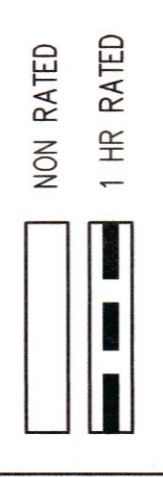
2X WD STUD FR-REF SCHD FOR SIZE AND SPACING

REF FIN SCHD FOR FIN

FILE/CS NUMBER: 20000-0001  
REVISION DATE: 11/21/21  
JOB NUMBER: 881000

STUD SIZE	WALL THK	FIRE RATING (CBC/UL LISTING)		REMARKS
		0 HR	2 HR	
4	4 3/4	(CBC 14-1.3) (UL 305)		
6	6 3/4	(CBC 14-1.3) (UL 305)		
8	8 1/2	(CBC 14-1.3) (UL 305)		

**PLAN INDICATION**



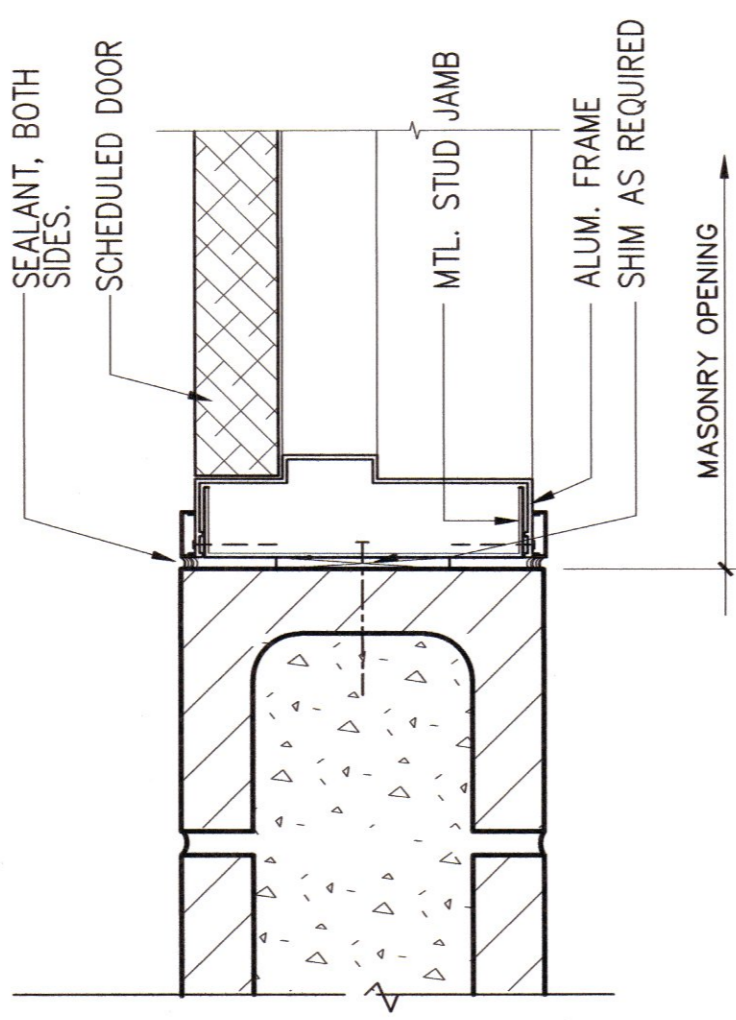
NOTES:  
1. REF FIN SCHD FOR FIN  
2. STUDS SPACED 16" OC  
3. ALL WALLS FULL HGT

**REMARKS SCHEDULE**

- A. 3-1/2" THK SOUND INSUL
- B. 6-1/2" THK SOUND INSUL
- C. MR GYP BD

• OPTIONAL CHARACTER

**10 INT. CMU DOOR JAMB/HEAD**



SEALANT, BOTH SIDES

SCHEDULED DOOR

MTL. STUD JAMB

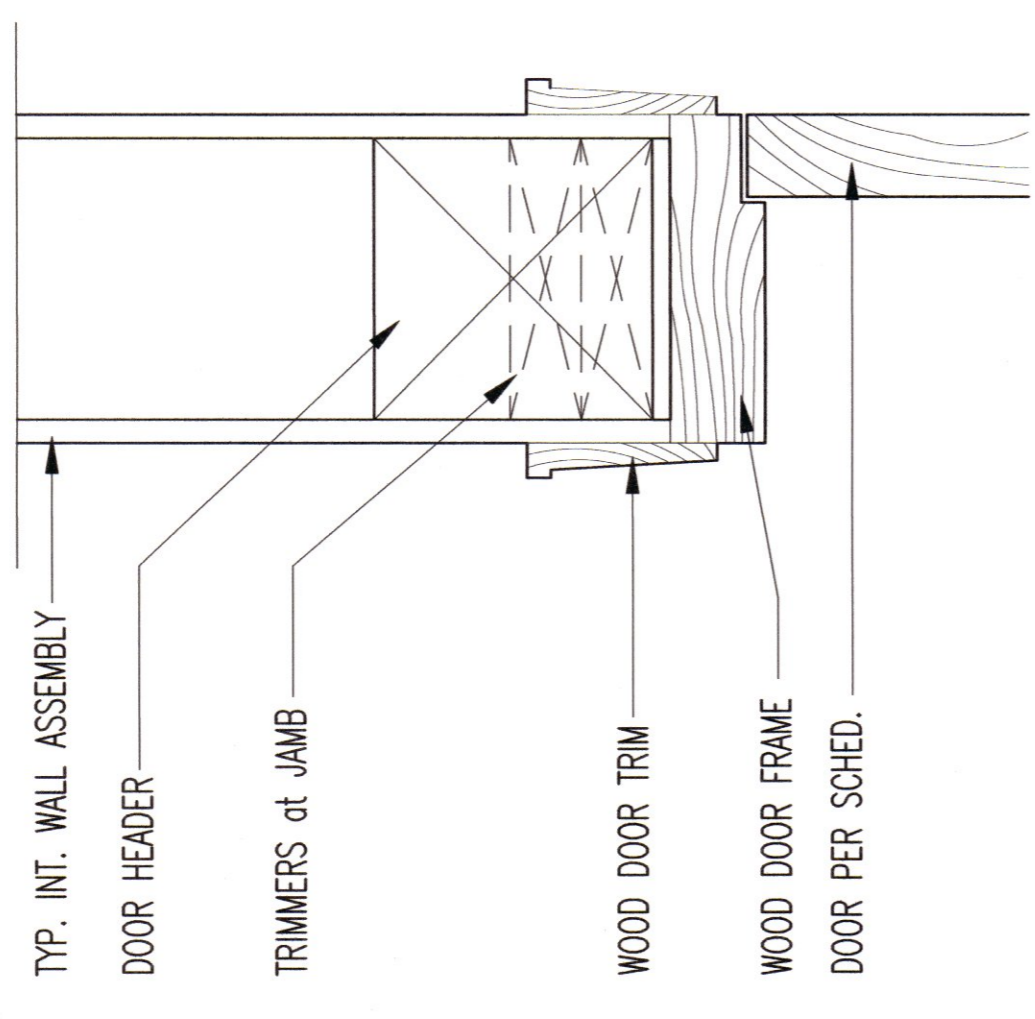
ALUM. FRAME

SHIM AS REQUIRED

MASONRY OPENING

FILE/CS NUMBER: 00800-0001  
REVISION DATE: 02/17/20  
JOB NUMBER: 881000

**7 INT. WALL ASSEMBLY**



TYP. INT. WALL ASSEMBLY

DOOR HEADER

TRIMMERS at JAMB

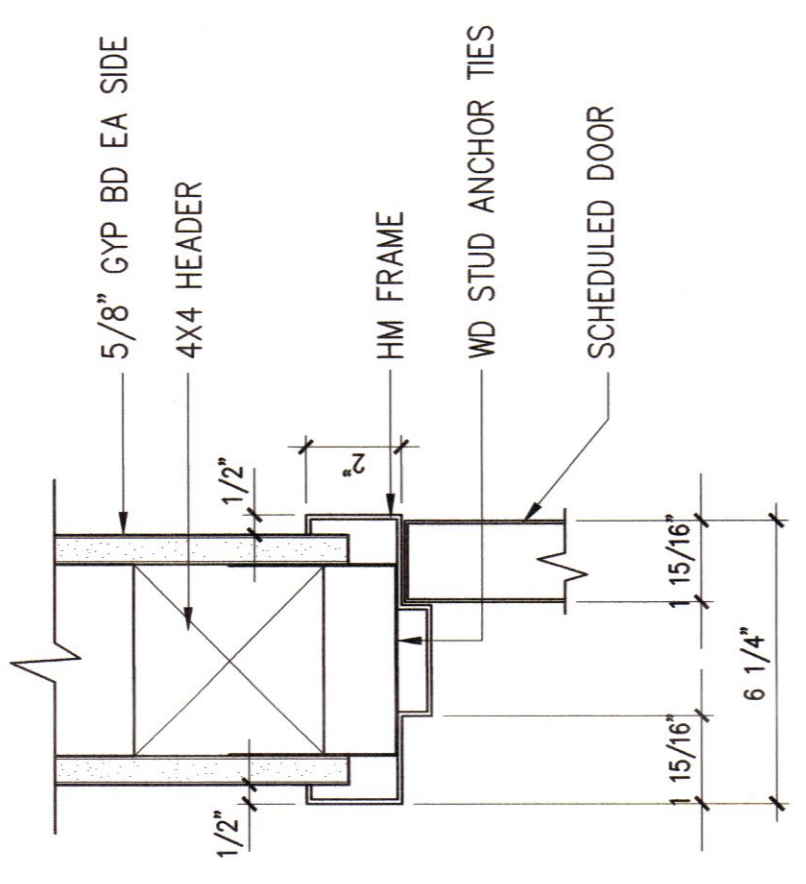
WOOD DOOR TRIM

WOOD DOOR FRAME

DOOR PER SCHED.

FILE/CS NUMBER: 00800-0003  
REVISION DATE: 06/27/20  
JOB NUMBER: 881000

**4 INT. HEAD**



5/8" GYP BD EA SIDE

4X4 HEADER

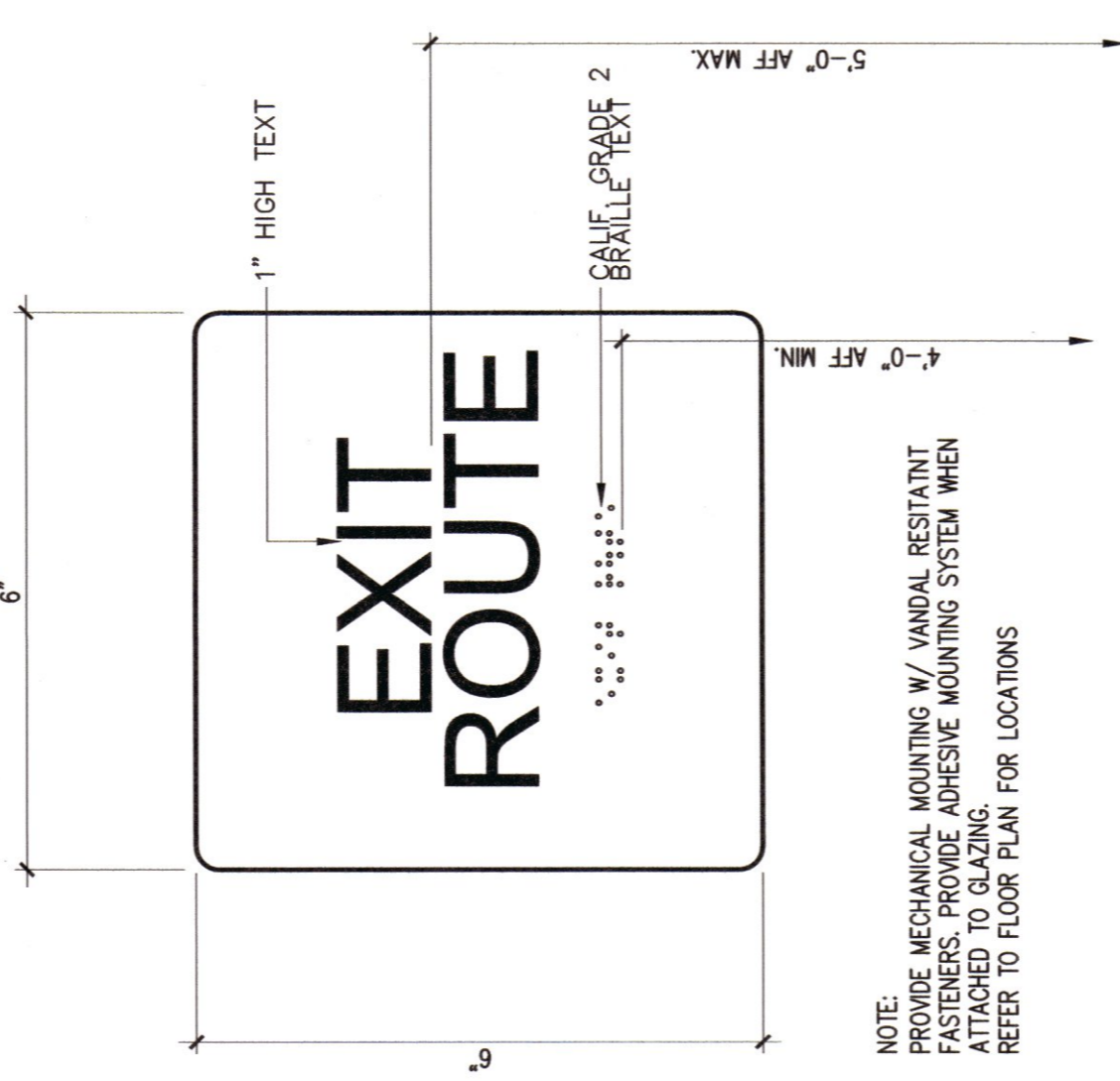
HM FRAME

WD STUD ANCHOR TIES

SCHEDULED DOOR

FILE/CS NUMBER: 00800-0003  
REVISION DATE: 06/27/20  
JOB NUMBER: 881000

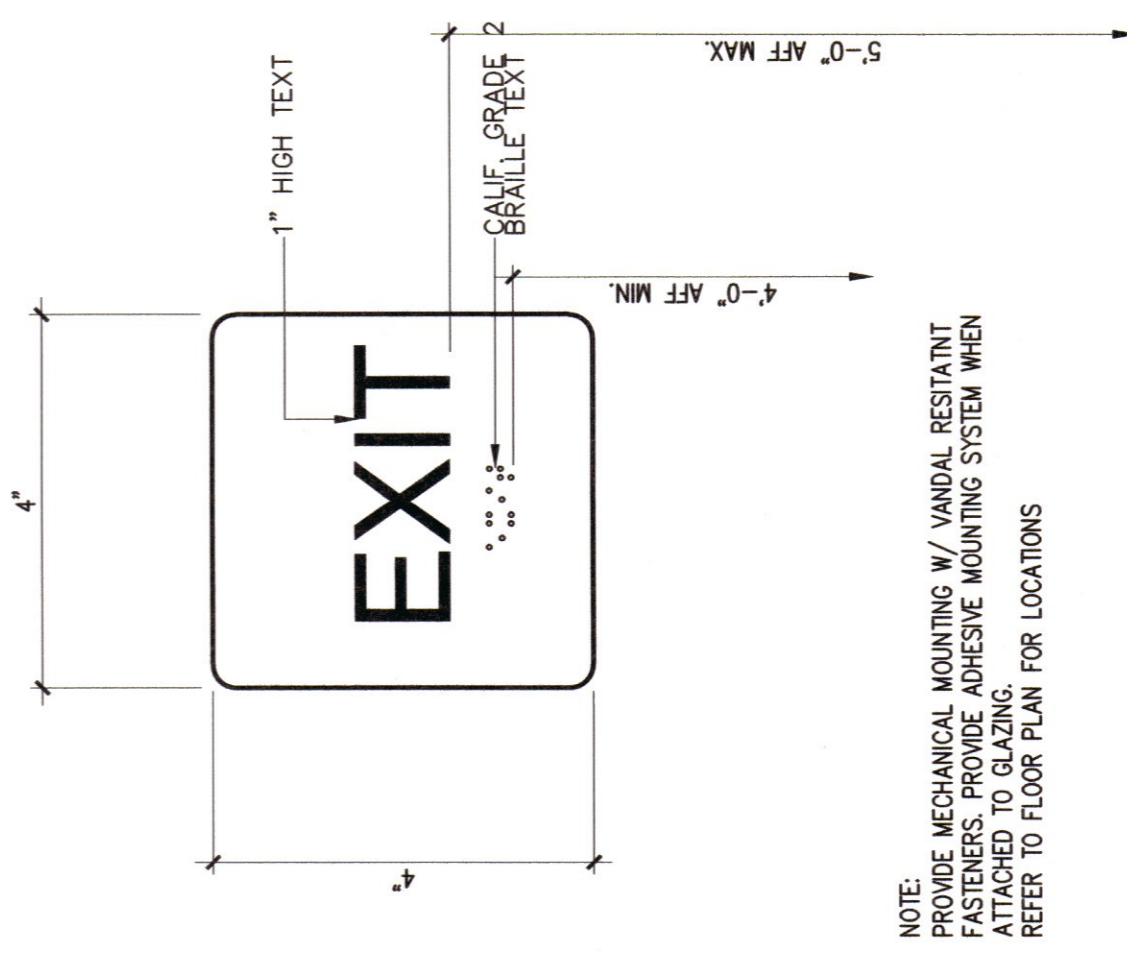
**1 INT. HEAD**



NOTE:  
PROVIDE MECHANICAL MOUNTING W/ VANDAL RESISTANT FASTENERS. PROVIDE ADHESIVE MOUNTING SYSTEM WHEN ATTACHED TO GLAZING. REFER TO FLOOR PLAN FOR LOCATIONS

FILE/CS NUMBER: 00000-0001  
REVISION DATE: 06/28/20  
JOB NUMBER: 881000

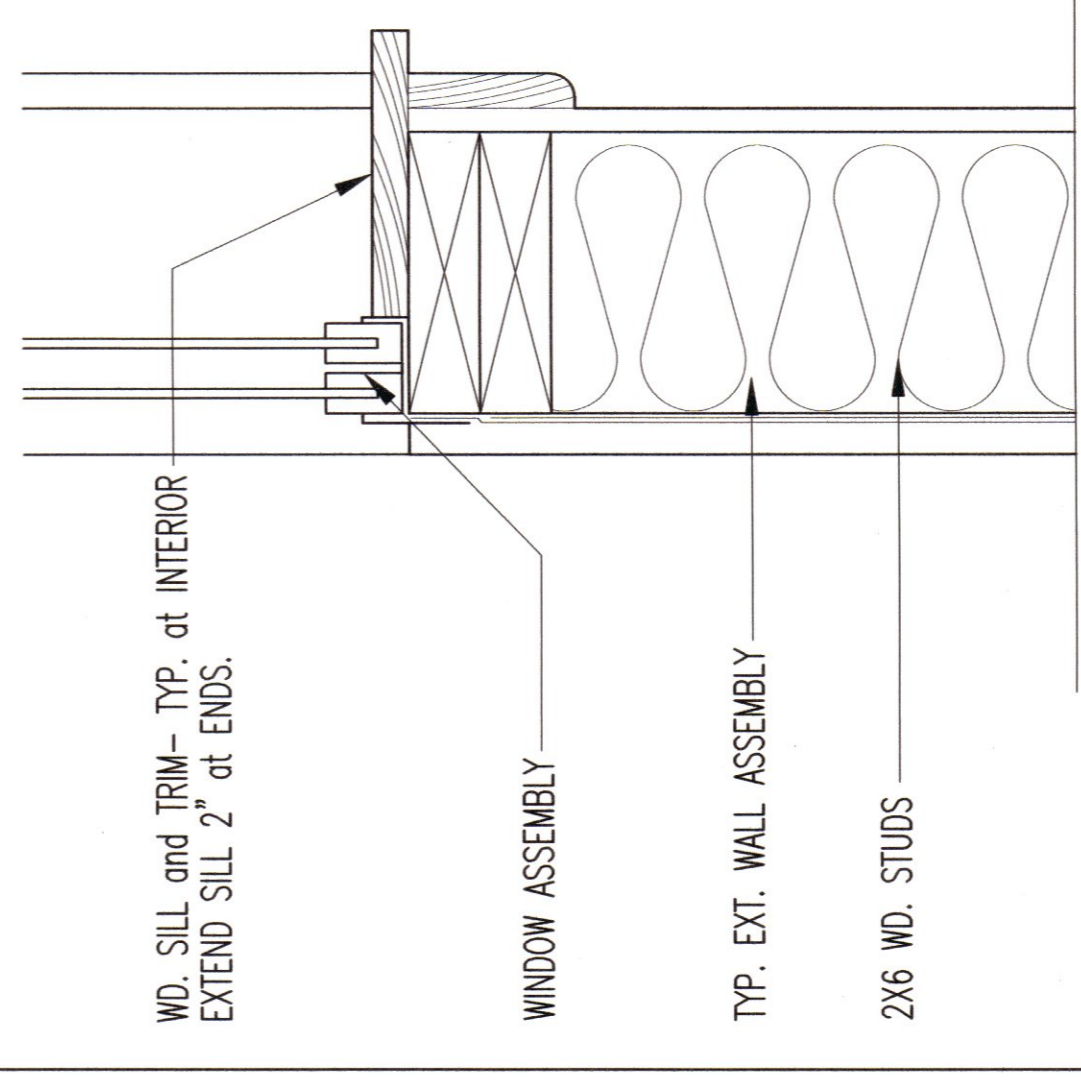
**8 TACTILE EXIT ROUTE SIGN**



NOTE:  
PROVIDE MECHANICAL MOUNTING W/ VANDAL RESISTANT FASTENERS. PROVIDE ADHESIVE MOUNTING SYSTEM WHEN ATTACHED TO GLAZING. REFER TO FLOOR PLAN FOR LOCATIONS

FILE/CS NUMBER: 80000-0001  
REVISION DATE: 06/28/20  
JOB NUMBER: 881000

**9 WINDOW SILL**



WD. SILL and TRIM - TYP. at INTERIOR. EXTEND SILL 2" at ENDS.

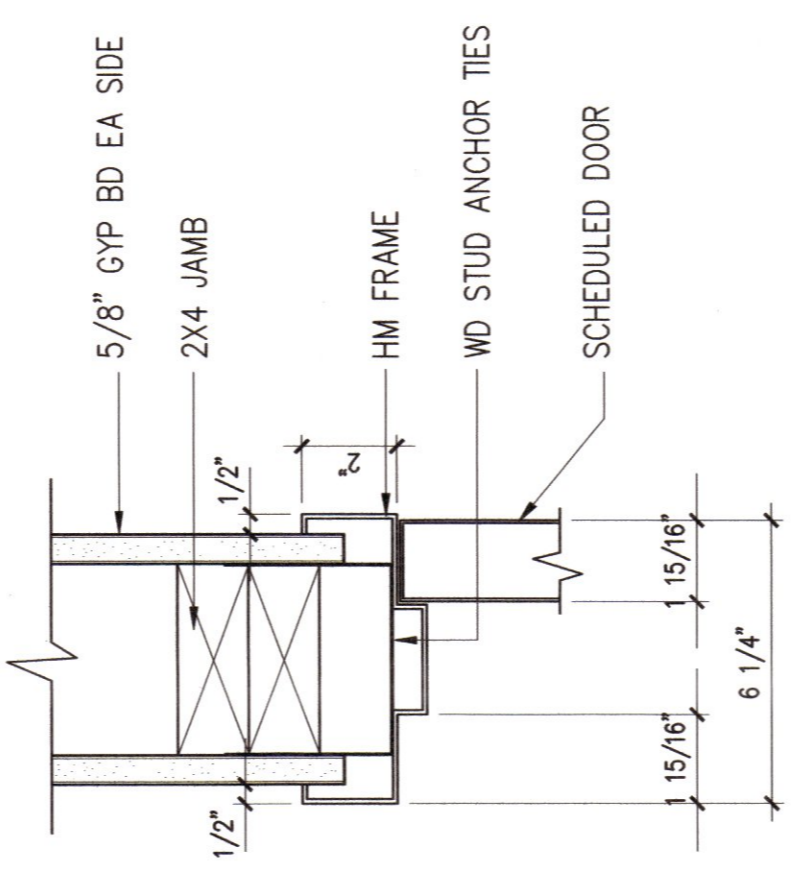
WINDOW ASSEMBLY

TYP. EXT. WALL ASSEMBLY

2X6 WD. STUDS

FILE/CS NUMBER: 00800-0003  
REVISION DATE: 06/27/20  
JOB NUMBER: 881000

**6 WINDOW SILL**



5/8" GYP BD EA SIDE

2X4 JAMB

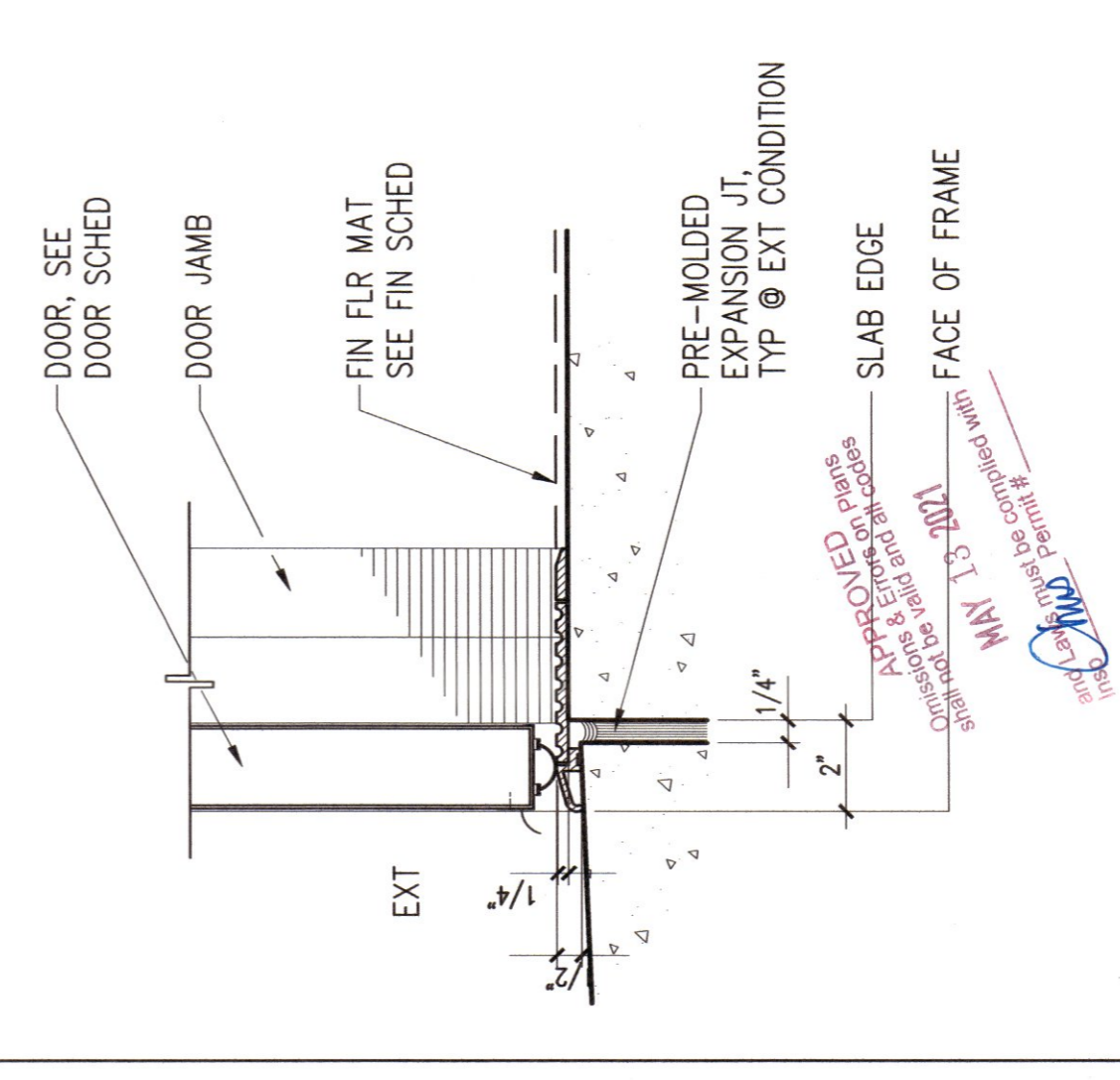
HM FRAME

WD STUD ANCHOR TIES

SCHEDULED DOOR

FILE/CS NUMBER: 00800-0003  
REVISION DATE: 06/27/20  
JOB NUMBER: 881000

**5 INT. HEAD**



DOOR. SEE DOOR SCHED

DOOR JAMB

FIN FLR MAT SEE FIN SCHED

PRE-MOLDED EXPANSION JT. TYP @ EXT CONDITION

SLAB EDGE

FACE OF FRAME

FILE/CS NUMBER: 00700-0005  
REVISION DATE: 06/29/20  
JOB NUMBER: 881000

**3 THRESHOLD**

**COUNTY FIRE STATION NO. 17 REMODEL**

PROJECT ADDRESS  
6476  
6430 PONY EXPRESS TRAIL  
POLLOCK PINES, CA 95726

DRAWING NAME  
**MISC. DETAILS PLAN**

DATE

NO DATE REVISION

DATE

NO DATE REVISION

DRAWN BY: JK

CHECKED BY: JK

DATE: 07/28/2020

SCALE: NOTED

PROJECT NUMBER: 2021103

DRAWING NUMBER: